

PRODUCT DESCRIPTION

CURVY 60 is a 3D printed luminaire with 2 curves of 60°. The tubes have a diameter of about 40mm and a length of 150mm. The luminaire is 360° rotatable around its axis and inclinable. Available with a lightbeam of 10° or 40°.

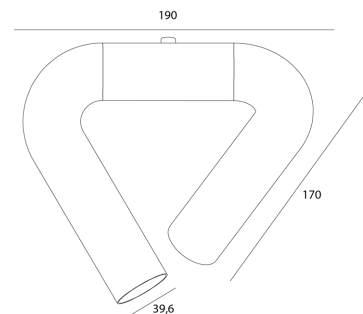
CURVY has to be used with the Zumipoint.



TECHNICAL DATA

Application	Jack
Dimensions	190mm x 170mm
IP rating	IP20
Power	48V
Lifetime L70/F10/65°C	>60000h
MacAdam ellipse	3
Guarantee	5 year

(*on components, only if ordered luminaire + driver)



Color Temperature	Wattage	Forward Current	Lumen (LED) (at tp = 65°C)	Lumen/Watt (LED) (at tp = 65°C)	CRI	Energy Label
2700K	2x6,9W	48V	2x840 lm	123 lm/W	90+	E
3000K	2x6,9W	48V	2x895 lm	131 lm/W	90+	E

ORDER REFERENCE

> [LUMINAIRE](#)

! ORDER REFERENCE + (1) **B** (black) / **C** (Colour)
(2) **DD** (Dali dim)

2700K	10°	ZUMI1392243004	CURVY 60 SLE G7 10° 2x6,9W 2x840lm 48V DC 2700K CRI90+ excl.driver
	40°	ZUMI1392241204	CURVY 60 SLE G7 40° 2x6,9W 2x840lm 48V DC 2700K CRI90+ excl.driver
3000K	10°	ZUMI1392253004	CURVY 60 SLE G7 10° 2x6,9W 2x895lm 48V DC 3000K CRI90+ excl.driver
	40°	ZUMI1392251204	CURVY 60 SLE G7 40° 2x6,9W 2x895lm 48V DC 3000K CRI90+ excl.driver

> [REQUIREMENTS](#)

ZUMIZPB	Zumipoint black cut out Ø 25mm
ZUMIZPTFCB	Zumipoint black trimless falls ceiling cut out Ø 51mm
ZUMIZPTSCB	Zumipoint black trimless stretch ceiling cut out Ø

> [DRIVER \(to be placed remoted\)](#)

non dimmable :

Compact	TRID28001232 TRID28001045	LCU 48V 75W DC-STR FO SR LCU 48V 150W DC-STR FO SR
Linear	TRID28000816 TRID28001234	LCU 48V 75W DC-STR FO Ip LCU 48V 150W DC-STR FO Ip

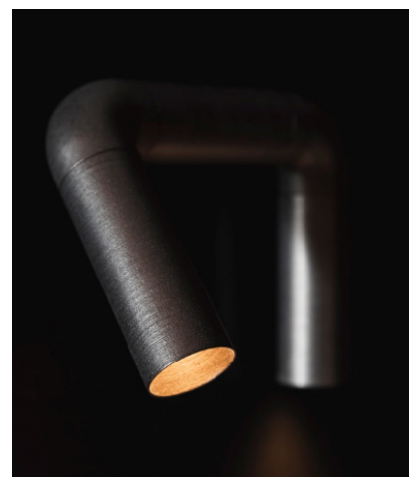
dimmable :

Compact	TRID28001233 TRID28001044	LCU 48V 75W DC-STR DIM SR LCU 48V 150W DC-STR DIM SR
Linear	TRID28000815 TRID28001235	LCU 48V 75W DC-STR DIM Ip LCU 48V 150W DC-STR DIM Ip

PRODUCT DESCRIPTION

CURVY 90 is a 3D printed luminaire with 2 curves of 90°. The tubes have a diameter of about 40mm and a length of 150mm. The luminaire is 360° rotatable around its axis and inclinable. Available with a lightbeam of 10° or 40°.

CURVY has to be used with the Zumipoint jack system.

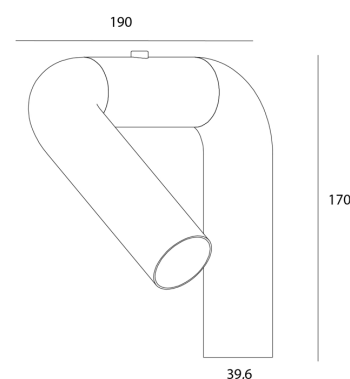


TECHNICAL DATA

Application	Jack
Dimensions	190mm x 170mm
IP rating	IP20
Power	48V
Lifetime L70/F10/65°C	>60000h
MacAdam ellipse	3
Guarantee	5 year

(*on components, only if ordered luminaire + driver)

Color Temperature	Wattage	Forward Current	Lumen (LED) (at tp = 65°C)	Lumen/Watt (LED) (at tp = 65°C)	CRI	Energy Label
2700K	2x6,9W	48V	2x840 lm	123 lm/W	90+	E
3000K	2x6,9W	48V	2x895 lm	131 lm/W	90+	E



ORDER REFERENCE

> [LUMINAIRE](#)

! ORDER REFERENCE + (1) **B** (black) / **C** (Colour)
(2) **DD** (Dali dim)

2700K	10°	ZUMI1562243004	CURVY 90 SLE G7 10° 2x6,9W 2x840lm 48V DC 2700K CRI90+ excl.driver
	40°	ZUMI1562241204	CURVY 90 SLE G7 40° 2x6,9W 2x840lm 48V DC 2700K CRI90+ excl.driver
3000K	10°	ZUMI1562253004	CURVY 90 SLE G7 10° 2x6,9W 2x895lm 48V DC 3000K CRI90+ excl.driver
	40°	ZUMI1562251204	CURVY 90 SLE G7 40° 2x6,9W 2x895lm 48V DC 3000K CRI90+ excl.driver

> [REQUIREMENTS](#)

ZUMIZPB	Zumipoint black cut out Ø 25mm
ZUMIZPTFCB	Zumipoint black trimless falls ceiling cut out Ø 51mm
ZUMIZPTSCB	Zumipoint black trimless stretch ceiling cut out Ø

> [DRIVER \(to be placed remoted\)](#)

non dimmable :

Compact	TRID28001232 TRID28001045	LCU 48V 75W DC-STR FO SR LCU 48V 150W DC-STR FO SR
Linear	TRID28000816 TRID28001234	LCU 48V 75W DC-STR FO Ip LCU 48V 150W DC-STR FO Ip

dimmable :

Compact	TRID28001233 TRID28001044	LCU 48V 75W DC-STR DIM SR LCU 48V 150W DC-STR DIM SR
Linear	TRID28000815 TRID28001235	LCU 48V 75W DC-STR DIM Ip LCU 48V 150W DC-STR DIM Ip